

# Panasonic

## BUSINESS

**AW-UE4WG** [White Model]  
**AW-UE4KG** [Black Model]  
4K Integrated Camera

For indoor use

*Compact 4K PTZ Camera equipped with an ultra-wide-angle lens with a 111° field of view and perfect for fixed point shooting*



# HDMI, LAN and USB output-compatible compact 4K PTZ Camera equipped with an ultra-wide-angle lens with a 111° field of view



Suspended (Hanging) Style



Stand-alone (Desktop) Style

The compact 4K PTZ Camera is equipped with an ultra-wide-angle lens with a 111° field of view to capture the entire scene. The unit supports PoE\* supply and can be powered via USB from a computer to realize a single cable solution for video transmission, camera control and power supply. The camera is perfect for a wide range of applications including lecture capturing, video conferencing and e-Sports live streaming.

\* Abbreviation of Power over Ethernet .

4K Integrated Camera  
AW-UE4WG  
AW-UE4KG



## High-Quality 4K/30p Video Output

Supports 3840x2160/30p 4K video output and a variety of other formats for use in a wide range of environments.

\* HDMI output requires PoE HUB or AC adaptor (5V/1A or more).

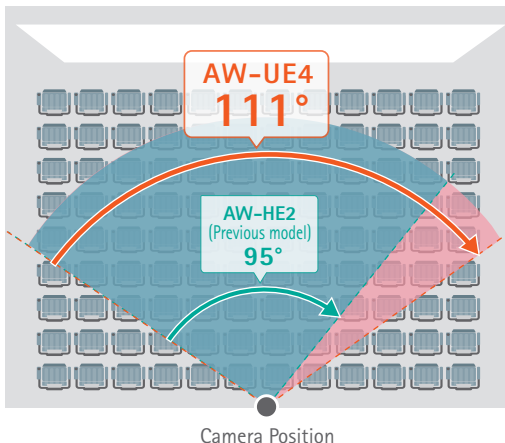
### Output format

4K	2160/30p, 2160/29.97p, 2160/25p
HD	1080/60p, 1080/59.94p, 1080/50p, 1080/30p, 1080/29.97p, 1080/25p
	720/60p, 720/59.94p, 720/50p

## Ultra-Wide-Angle Lens with a 111° Field of View

Equipped with an ultra-wide-angle lens with a 111° field of view to capture every part of even the largest spaces and transmit wide-angle video in limited installation space.

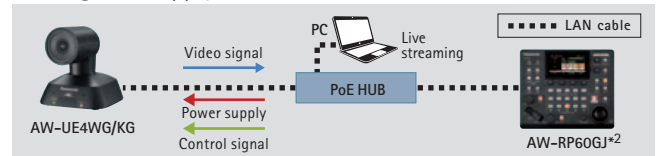
### The 111° Field of View



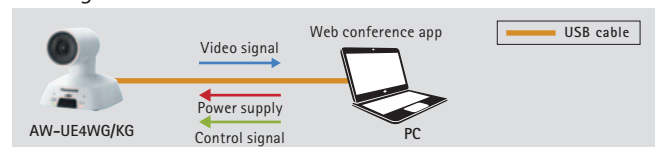
## Single Cable Solution

In addition to PoE\*<sup>1</sup> supply, power supply from a computer via USB cable is also supported to enable operation without connecting an AC adaptor, realizing a single cable solution for video transmission, camera control and power supply.

### Using PoE Supply



### Using as a USB Camera

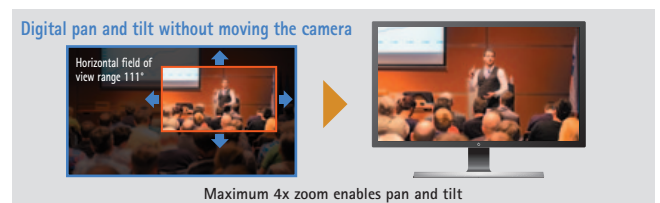


\*1: Abbreviation of Power over Ethernet.

\*2: However, Slow Shutter, LDC, Priority Mode, Mirror, Language settings cannot be controlled.

## ePTZ

Equipped with digital zoom for magnification up to four times to capture distant subjects clearly. Once images are zoomed in, digital pan/tilt is available, offering flexibility to shoot from different angles.

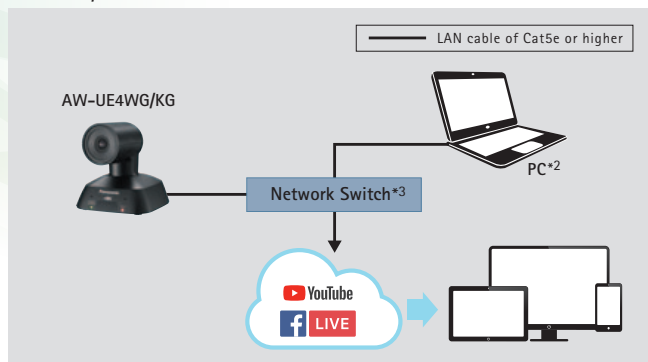


\* Images are simulated.

## RTMP/RTMPS\*1

Supports RTMP/RTMPS\*1 for direct upload and streaming of video on services such as YouTube Live or Facebook Live. Video can be uploaded and streamed directly from the camera to live streaming services.

### RTMP/RTMPS Connection



\*1: RTMP: Real-Time Messaging Protocol, RTMPS: Real-Time Messaging Protocol Secure.

\*2: A computer is required for connection to the streaming server.

\*3: PoE support.

## Rear View



## Specifications

As of October, 2020

### [General]

Power Requirements:	DC 5 V±5% (4.75 V to 5.25 V)
PoE:	IEEE802.3af standard: DC37 V to 57 V (camera)
Current Consumption:	1.0A (USB input), 0.2A (PoE power supply)
Ambient Operating Temperature:	0 °C to 40 °C (32 °F to 104 °F)
Ambient Operating Humidity:	20% to 90% (no condensation)
Storage Temperature:	-20 °C to 50 °C (-4 °F to 122 °F)
Weight:	Approx. 0.5 kg (1.1 lb) (excluding mount bracket)
Dimensions (W x H x D):	123 mm x 131 mm x 139 mm (4-53/64 inches x 5-5/32 inches x 5-29/64 inches) (excluding protrusions, mount bracket)
Finish:	AW-UE4WG:White AW-UE4KG:Black
Controller Supported:	AW-RP60GJ*1, AW-RM50G

### [Camera Unit]

Imaging Sensors:	1/2.5-type MOS
Lens:	F2.4 (f=2.21 mm, 35 mm conversion: 13.4 mm)
Digital Zoom:	4x
Field of View Range:	LDC*2 Off: Horizontal field of view 111°, vertical field of view 75°, diagonal field of view 120° LDC*2 On: Horizontal field of view 108°, vertical field of view 75°, diagonal field of view 116°
Focus:	Single focus
Focus Distance:	700 mm
Minimum Illumination:	4 lx (conditions: 50 IRE, gain 42 dB, shutter speed 1/60)
Horizontal Resolution:	HDMI output: 4K format: 1,400 TV lines typ (center area) HDMI output: HD format: 900 TV lines typ (central area)
ePTZ Angle:	2x digital zoom: Pan approx. ± 34°, tilt approx. ± 21° 4x digital zoom: Pan approx. ± 45°, tilt approx. ± 30°
Gain selection:	Auto, 0 to 42 dB *Can be set in 3 dB increments
Electronic Shutter Speed:	<ul style="list-style-type: none"> <li>Full Auto Mode with Slow Shutter On / Shutter Priority Mode / Manual Mode 1/1, 1/2, 1/5, 1/10, 1/20, 1/30, 1/60, 1/120, 1/240, 1/480, 1/1000, 1/2000, 1/4000, 1/8000, 1/16000 [60 Hz/59.94 Hz] 1/1, 1/2, 1/5, 1/10, 1/20, 1/25, 1/50, 1/100, 1/250, 1/500, 1/1000, 1/2000, 1/4000, 1/8000, 1/16000 [50 Hz]</li> <li>Full Auto Mode with Slow Shutter Off 1/60, 1/120, 1/240, 1/480, 1/1000, 1/2000, 1/4000, 1/8000, 1/16000 [60 Hz/59.94 Hz] 1/50, 1/100, 1/250, 1/500, 1/1000, 1/2000, 1/4000, 1/8000, 1/16000 [50 Hz]</li> </ul>
White Balance:	ATW, AWB A, AWB B, 3200 K, 5600 K
Chroma Amount Variability:	11 steps (0 to 10)

### [Internal Mic]

Internal Mic:	Stereo microphone
Audio On/Off:	Available (mute function)
ALC Function:	Available

### [Output]

HDMI*3*4:	HDMI connector, 4:4:4/8 bit
-----------	-----------------------------

### [Input/Output]

LAN:	LAN terminal for IP control (RJ-45)
USB:	Type-C terminal

### [USB Web Camera Unit]

Video Output:	USB Video Class Ver1.1
Video Output Format:	YUV (uncompressed), MJPEG, H.264
Resolution:	YUV 640 x 360 MJPEG 3840 x 2160, 1920 x 1080, 1280 x 720, 640 x 360 H.264 3840 x 2160, 1920 x 1080, 1280 x 720, 640 x 360
Frame Rate:	YUV [60 Hz/59.94 Hz]:15fps [50 Hz]:10fps MJPEG [60 Hz/59.94 Hz]:30fps*5/15fps*5/5fps [50 Hz]:25fps*5/10fps*5/5fps H.264 [60Hz/59.94Hz]:60fps*5, 30fps, 15fps, 5fps [50Hz]:50fps*5, 25fps, 10fps, 5fps
Audio Output:	USB Audio Class Ver1.0
Audio Compression Format:	Linear PCM, 48 kHz/16 bit/2 ch

### [IP Streaming]

Video Compression Format:	MJPEG (HTTP), H.264 (RTSP/RTMP/RTMPS), H.265 (RTSP)
Resolution:	MJPEG 1280 x 720, 640 x 360 H.264/H.265 3840 x 2160, 1920 x 1080, 1280 x 720, 640 x 360
Frame Rate:	MJPEG Max. 30fps (25fps)*6 H.264 [60 Hz/59.94 Hz]:5fps/15fps/30fps/60fps (4K up to 30fps) [50 Hz]:5fps/10fps/25fps/50fps (4K up to 25fps) H.265 [60 Hz/59.94 Hz]:5fps/15fps/30fps/60fps (4K up to 30fps) [50 Hz]:5fps/10fps/25fps/50fps (4K up to 25fps)
Streaming Bitrate:	MJPEG Not specified*6 H.264 RTSP/RTMP:1024kbps to 32768kbps RTMPS:1024kbps to 8192kbps H.265 1024kbps to 32768kbps
Audio Compression Format:	AAC-LC, 48 kHz/16 bit/2 ch
Supported Protocol:	IPv4 TCP/IP, UDP/IP, HTTP, RTSP, RTP, RTP/RTCP, DHCP, DNS, ICMP, ARP, RTMP, RTMPS IPv6 TCP/IP, UDP/IP, HTTP, RTSP, RTP, RTP/RTCP, DNS, ICMPv6

### [Pan-tilt Unit]

Installation Method:	Stand-alone (Desktop) or suspended (Hanging)*7
Panning Range:	±110° (manual)
Tilting Range:	±25° (manual)

### [Camera Control]

IP Connecting Cable:	<ul style="list-style-type: none"> <li>When a PoE ethernet hub is used: LAN cable*8 (category 5e or above), max. 100 m (328 ft)</li> <li>When a PoE ethernet hub is not used: LAN cable*8 (category 5 or above), max.100 m (328 ft)</li> </ul>
----------------------	--

### [Standard Accessories]

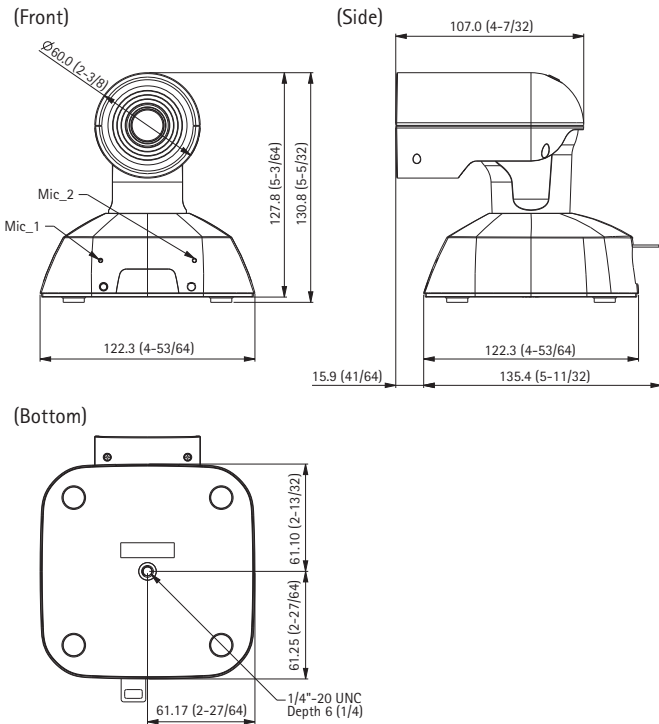
USB Cable: 1, Drop-prevention wire: 1, Mount kit: 1, L-Mount kit: 1, Tripod screw (I-head type, 1/4 x 20 UNC): 1, M4 screw (10 mm length): 4, M4 screw (5 mm length): 4

● For PC operating and communication environments, see Service and Support on the Panasonic website, <https://pro-av.panasonic.net/en/>

\*1: However, Slow Shutter, LDC, Priority Mode, Mirror, Language settings cannot be controlled. \*2: LDC is the abbreviation for Lens Distortion Correction. \*3: HDCP not supported. \*4: VIERA Link not supported. \*5: Excluding 3840 x 2160. \*6: JPEG and H.264, H.265 simultaneous operation supported. \*7: To ensure safety, the unit must be secured using the mount bracket supplied. \*8: STP (Shielded Twisted Pair) recommended.

## Dimensions

Unit:mm (inches)



## Optional Products

Remote Camera Controller  
**AW-RP60GJ\***



● Separate AC adaptor or PoE HUB required.

Wireless remote control  
**AW-RM50G**



\*However, Slow Shutter, LDC, Priority Mode, Mirror, Language settings cannot be controlled.

## Compatible Third-Party Equipment

NETGEAR, Inc  
 ProSAFE® 8-Port 10/100/1000 PoE+ Smart Switch  
 with 2 Gigabit SFP Ports

**GS510TPP**

\* Operation-verified in Mar. 2020



Third-Party Inquiries <NETGEAR, Inc> <http://www.netgear.com/home/contact-us/>

\* The terms HDMI and HDMI High-Definition Multimedia Interface, and the HDMI Logo are trademarks or registered trademarks of HDMI Licensing Administrator, Inc. in the United States and other countries.

\*\* "YouTube" and the "YouTube logo" are registered trademarks of Google Inc.

\*\* "Facebook" is a registered trademark of Facebook, Inc.

# Panasonic®

Panasonic Corporation  
 Connected Solutions Company

2-15 Matsuba-cho, Kadoma, Osaka 571-8503 Japan



For more information, please visit Panasonic web site  
<https://pro-av.panasonic.net/en/qr/>



Factories of AVC Networks Company have received ISO14001:2004-the Environmental Management System certification. (Except for 3rd party's peripherals.)



Broadcast and Professional AV Website



Contact Information



Facebook



Mobile App